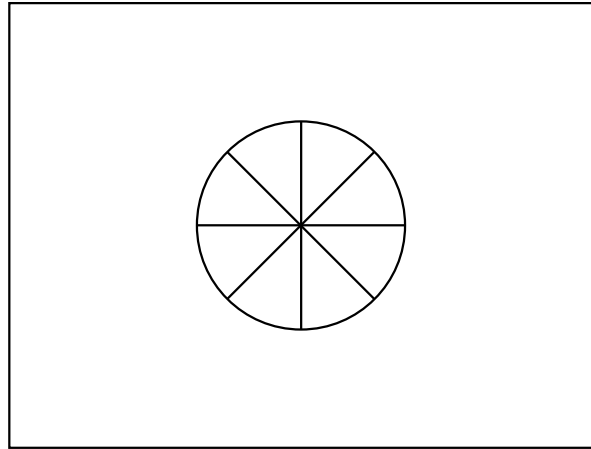
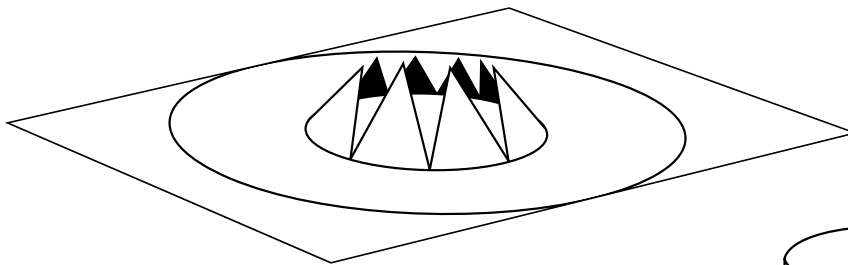


Quaker Hat

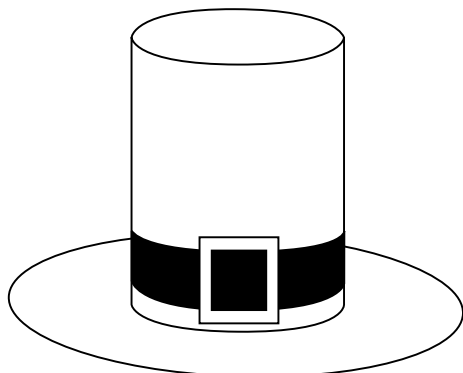
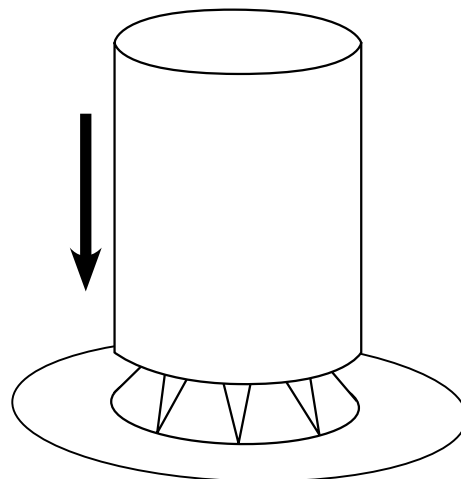
1. Make the brim of your hat by drawing a circle on the poster board about # inches in diameter (use a compass or bowl to trace the circle).
2. Draw lines to divide the circle in half. Then divide it further into 8 equal pie pieces.



3. Fold just the center of the poster board, and make a snip inside the circle to begin cutting along each pie slice. Make sure not to cut beyond the circle.
4. Fold each of the pieces up.
5. Draw a large circle around the smaller circle for the brim. Cut out and set aside.



6. For the body of the hat, cut a rectangle out of black poster board slightly larger than the inner hole of the hat brim.
7. Roll it up and tape the inside.
8. Tape or glue the flaps of the brim to the inside of the hat body.



9. Cut a strip of tan construction paper or felt 2-inches wide and long enough to go around the body of the hat. Glue it around the bottom of the body.
10. Cut a yellow construction paper or felt buckle out and glue it on top of the tan felt strap.